

08020SA (3108SB)

80[□]X20^L

DC Axial Fan Ball Bearing



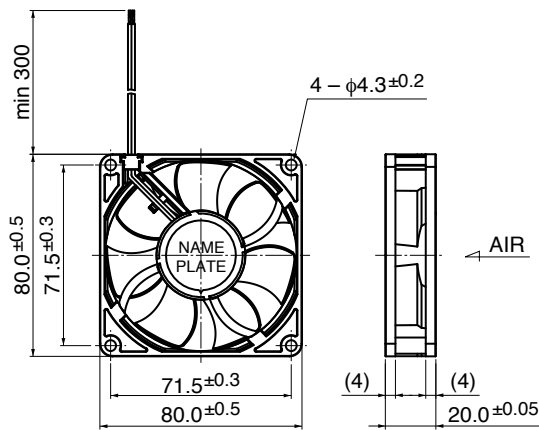
General Specifications

Motor Protection : Auto Restart / Polarity Protection
 Insulation Resistance : 10MΩ or over with a DC500V Megger

Dielectric Withstand Voltage : AC700V 1s

Allowable Ambient : -10°C ~ +70°C (Operating)
 Temperature Range : -40°C ~ +70°C (Storage)
 non-condensing environment

Outline



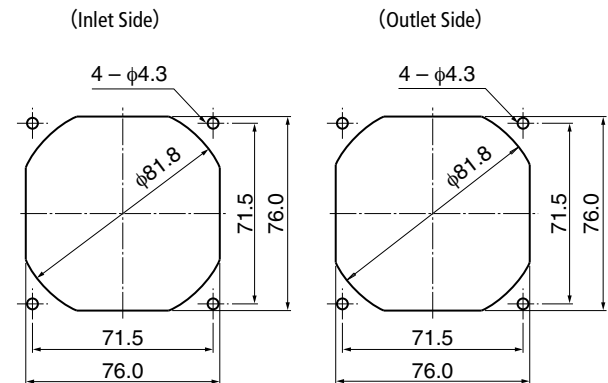
* Outline is A (Rib) type.

Expected Life

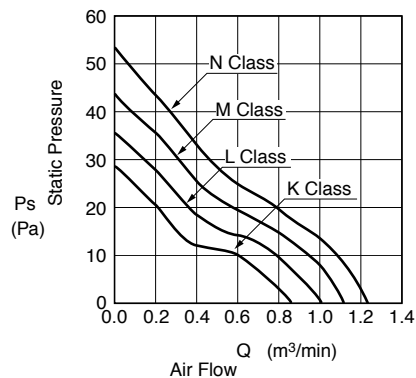
※ Failure Rate: 10% (L10 Life)

60°C 40,000 (Hours)

Panel Out-cuts



Characteristic Curves



Material

Casing : Plastic (Black) UL94V-0
 Impeller : Plastic (Black) UL94V-0
 Bearing : Ball Bearing
 Lead Wire : UL3385 AWG26 + : Red, - : Black

Specifications

| Model** | Product Number | Rating Voltage (V) | Operating Voltage (V) | Current (A)*1 | Input Power (W)*1 | Speed (min-1)*1 | Max Air Flow (m ³ /min)*1 (CFM)*1 | | Max Static Pressure (Pa) (In H ₂ O)*1 | | Noise (dB)*1 | Mass (g) |
|-----------------|----------------|--------------------|-----------------------|---------------|-------------------|-----------------|--|------|--|------|--------------|----------|
| 08020SA-12J-AA- | 00 | 12 | 6.0 ~ 13.8 | 0.05 | 0.60 | 2600 | 0.78 | 27.6 | 28.3 | 0.11 | 27.0 | 80 |
| 08020SA-12k-AA- | 00 | 12 | 6.0 ~ 13.8 | 0.07 | 0.84 | 2900 | 0.88 | 31.1 | 34.9 | 0.14 | 31.0 | |
| 08020SA-12L-AA- | 00 | 12 | 6.0 ~ 13.8 | 0.09 | 1.08 | 3300 | 1.02 | 36.0 | 43.6 | 0.17 | 34.0 | |
| 08020SA-12M-AA- | 00 | 12 | 6.0 ~ 13.2 | 0.13 | 1.56 | 3700 | 1.13 | 39.9 | 52.8 | 0.21 | 37.5 | |
| 08020SA-24J-AA- | 00 | 24 | 9.0 ~ 27.6 | 0.05 | 1.20 | 2600 | 0.78 | 27.6 | 28.3 | 0.11 | 27.0 | |
| 08020SA-24K-AA- | 00 | 24 | 9.0 ~ 27.6 | 0.06 | 1.44 | 2900 | 0.88 | 31.1 | 28.5 | 0.11 | 31.0 | |
| 08020SA-24L-AA- | 00 | 24 | 9.0 ~ 27.6 | 0.07 | 1.68 | 3300 | 1.02 | 36.0 | 35.0 | 0.14 | 34.0 | |
| 08020SA-24M-AA- | 00 | 24 | 9.0 ~ 27.6 | 0.09 | 2.16 | 3700 | 1.13 | 39.9 | 44.0 | 0.18 | 37.5 | |
| 08020SA-24N-AA- | 00 | 24 | 9.0 ~ 26.4 | 0.10 | 2.40 | 4000 | 1.20 | 42.4 | 53.0 | 0.21 | 40.5 | |

Rotation: Clockwise as seen from the label side
 Airflow Outlet: Label side

**Flange casing available

*1: Average Values in Free Air